



**Simplicity Bubblers**  
**Chilled Beverage Dispensers 2x18 L,**  
**agitator model with locking lid and UK**  
**plug**

ITEM # \_\_\_\_\_

MODEL # \_\_\_\_\_

NAME # \_\_\_\_\_

SIS # \_\_\_\_\_

AIA # \_\_\_\_\_



CCCRKX (ECS2D22UK) \* NOT TRANSLATED \*

### Main Features

- Agitation function for fresh juices, coffees, or teas with minimal foaming system.
- Easy-off bowl release system for faster and easier assembly and disassembly.
- User friendly design enables machine to dispense product till the very last drop.
- Two flavors dispensed with 18 L easy-clean bowls with 23 cm cup clearance.

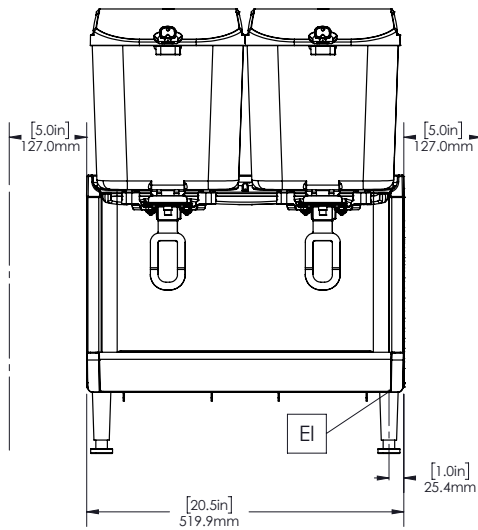
### Construction

- Temperature range from 1.7 - 5° C.
- Compact size of 52 cm wide saves valuable counter space.
- Refrigerant type: R290.
- Pre-mix dispenser with stainless steel base and clear plastic bowls.
- Fewer removable parts to simplify cleaning and reduce maintenance.
- The air intakes from the bottom and exhaust to back.
- Locking lid for added safety against tampering.

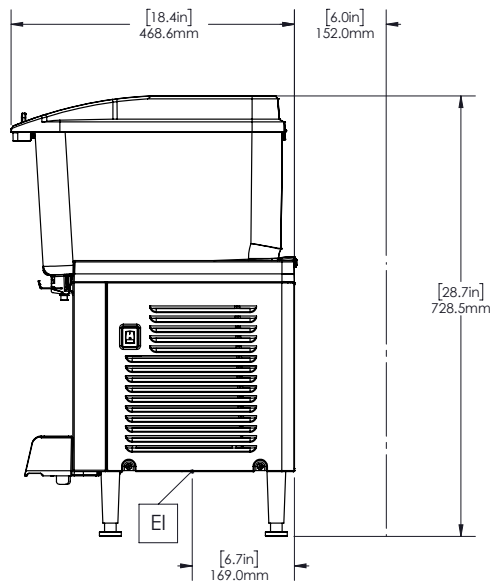
APPROVAL: \_\_\_\_\_



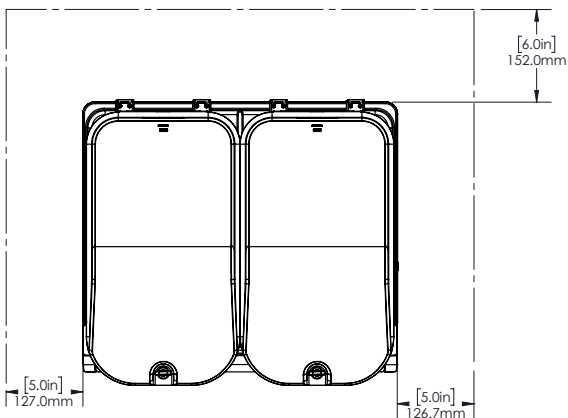
Front



Side



Top



#### Electric

Supply voltage:

CCCRKX (ECS2D22UK) 220-240 V/1N ph/50/60 Hz

Electrical power max.:

0.6 kW

#### Key Information:

External dimensions, Width:	521 mm
External dimensions, Depth:	451 mm
External dimensions, Height:	729 mm
Net weight:	32 kg
Shipping weight:	37 kg
Shipping height:	650 mm
Shipping width:	500 mm
Shipping depth:	650 mm

#### Sustainability

Refrigerant type:	R290
Refrigerant weight:	85 g